

MET 1-PHASE CONTROL AND ISOLATION TRANSFORMER

P: 630VA IN: 230VAC+/- 5% OUT: 230VAC

Single-phase - Control and Isolation Transformers
 630 VA
 Spring clamp terminals
 Isolation class T 60/B

Illustration

Product may differ from Image

Approvals**Input**

Input voltage	230 V AC $\pm 5\%$
Frequency	50...60 Hz
Input current	2.98 A (230 V AC)
Short-circuit current	82.3 A (230 V AC)
Inrush current	75.6 A (230 V AC)

Output

Output voltage	230 V AC
Output rating	630 VA

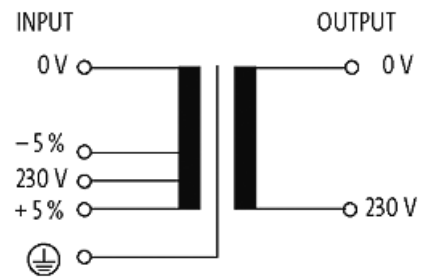
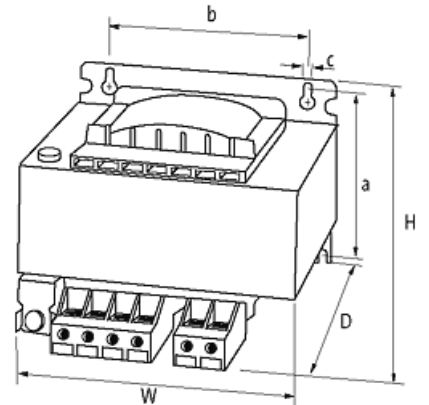
General data

Standards	EN 61558-1, EN 61558-2-4, EN 62041 category 0
Test isolation voltage	4 kV (prim./sec.)
Dimensions H×W×D	129×150×148 mm
Fixing centers a×b×c	107.5×122×7 mm
Drill hole \varnothing	7×11 mm
Mounting method	Key-hole mounting
Temperature range	-20...+60 °C (storage temperature -40...+80 °C)

Commercial data

country of origin	CZ
-------------------	----

customs tariff number	85043180
EAN	4048879066495
eClass	27031302
Packaging unit	1

Sketch

Product may differ from Image